

Passive Sensors

THERMOVAC Sensors

TR 211, TR 211 NPT, TR 212, TR 216



These passive sensors use thermal conductivity technology according to Pirani.

Advantages to the User

- Measurement range 5×10^{-4} to 1000 mbar (3.75×10^{-4} to 750 Torr)
- Tungsten or platinum filament
- Cost-effective sensing cell
- Fully aligned and temperature compensated 0 to +40 °C
- Constant filament temperature

TR 211

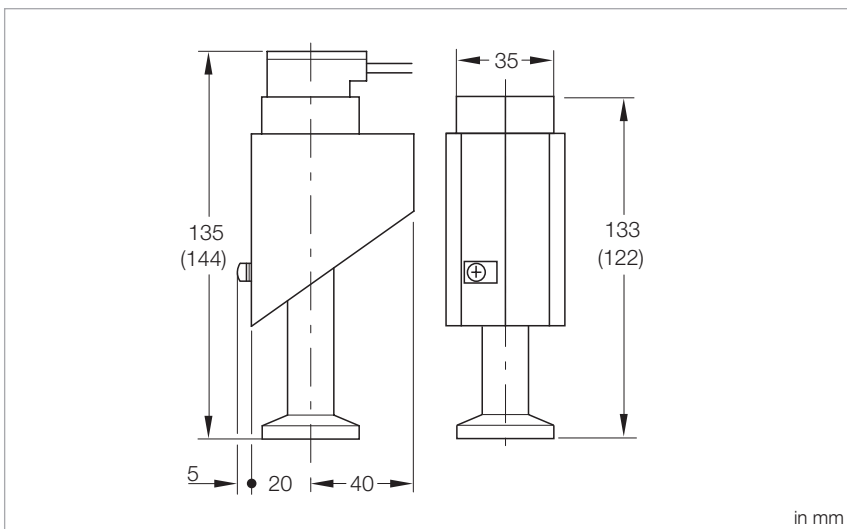
- Aluminum sensing cell with tungsten filament
- Improved temperature compensation

TR 212

- Stainless steel sensing cell with tungsten filament
- Overpressure resistant

TR 216

- Stainless steel sensing cell with platinum filament and ceramics feed through
- Well suited for corrosive processes and water vapor atmospheres



Dimensional drawing for the TR 211, TR 212 and TR 216; TR 211 NPT in brackets

Technical Data

TR 211

TR 211 NPT

TR 212

TR 216

Measurement range	mbar (Torr)	5 x 10 ⁻⁴ to 1000 (3.8 x 10 ⁻⁴ to 7.5 x 10 ²)	5 x 10 ⁻⁴ to 1000 (3.8 x 10 ⁻⁴ to 7.5 x 10 ²)	5 x 10 ⁻⁴ to 1000 (3.8 x 10 ⁻⁴ to 7.5 x 10 ²)	5 x 10 ⁻⁴ to 1000 (3.8 x 10 ⁻⁴ to 7.5 x 10 ²)
Operating temperature range (compensated)	°C	0 to +40	0 to +40	0 to +40	0 to +40
Storage temperature range, max.	°C	80	80	80	80
Filament		Tungsten	Tungsten	Tungsten	Platin
Filament temperature	°C	110	110	110	110
Permissible overload (abs.), max.	bar	3	3	10	10
Volume of the sensing cell, approx.	cm ³	11	11	11	11
Vacuum connection	DN	16 ISO-KF	1/8" NPT	16 ISO-KF/16 CF	16 ISO-KF
Materials in contact with the medium		Aluminum, Vacon, Glass, Tungsten CrNi 8020, epoxy cement	Aluminium Vacon, Glass, Tungsten CrNi 8020 epoxy cement	Stainless steel, Vacon, Glass, Tungsten CrNi 8020	Stainless steel 1.4301 (SS 304), Al ₂ O ₃ ² , CrNi 8020, Platinum
Operating units		THERMOVAC TM 21, 22, 23 / COMBIVAC CM 31, 32, 33, 51 / PIEZOVAC PV 20	THERMOVAC TM 21, 22, 23 / COMBIVAC CM 31, 32, 33, 51 / PIEZOVAC PV 20	THERMOVAC TM 21, 22, 23 / COMBIVAC CM 31, 32, 33, 51 / PIEZOVAC PV 20	THERMOVAC TM 21, 22, 23 / COMBIVAC CM 31, 32, 33, 51 / PIEZOVAC PV 20

Ordering Information

TR 211

TR 211 NPT

TR 212

TR 216

	Part No.	Part No.	Part No.	Part No.
THERMOVAC sensors Series 200				
DN 16 ISO-KF	157 85	-	158 52	157 87
DN 16 CF	-	-	157 86	-
DN 1/8" NPT	-	896 33	-	-
Replacement sensing cell	E 157 75	E 896 34	-	E 157 77